

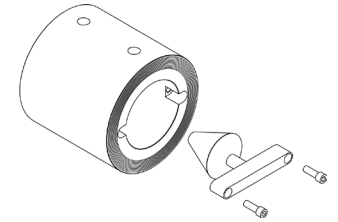
MODEL VH

Designed for Flanged Pipelines

Patent 5,814,738

DESCRIPTION AND GENERAL PERFORMANCE SPECIFICATIONS

The Wafer-Cone flowmeter is a differential pressure type flow measurement device. A cone is positioned in the center of the pipe to increase the velocity of the flowing fluid and create a differential pressure. This pressure difference can be measured and used to accurately interpret flowrate. Wafer-Cone flowmeters can be ordered with either a flanged transmitter direct mount or threaded taps for remote mounting.



Typical performance specifications:

- Accuracy: ±1.0% of rate *
- Turndown: 10:1
- Repeatability: ±0.1%
- Standard Betas: 0.45 through 0.85
- Headloss: % of Dp, varies with beta ratio
- Installation: 1-3 diameters upstream and 1 diameter downstream

Unique Features:

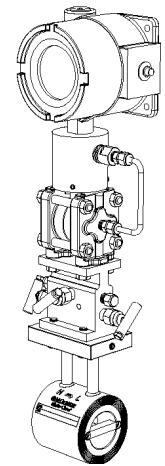
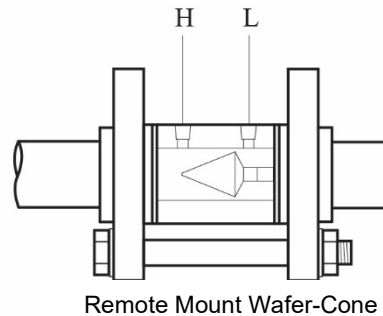
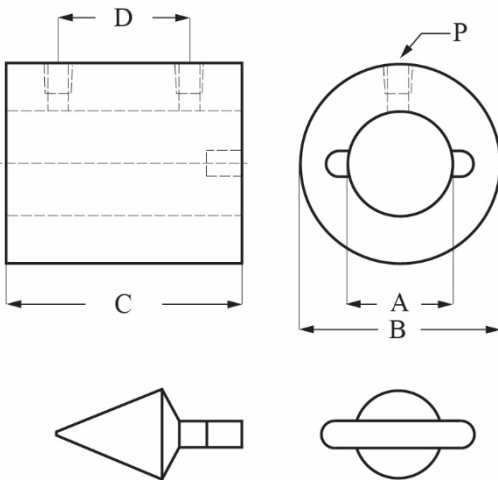
- No Welding (on remote mount option)
- Interchangeable Wafer-Cone Elements

Options:

- Gas or Oil Flow Calibration

* Each Wafer-Cone is sized for the intended application. Specific performance ratings must be obtained through the sizing process.

MODEL VH



Direct Mount Wafer-Cone

DIMENSION TABLE

Model	Remote And Direct Mount (Inches)					Remote And Direct Mount (Millimeters)					Pressure Ports	
	Size inch	A inch	C inch	D inch	B inch	Size mm	A mm	C mm	D mm	B mm	P NPT inch	P RC inch
VH01	1"	0.957	2.25	1.25	2.00	25	24,31	60	31.8	50.8	1/8	1/8
VH0C	1½"	1.500	3	1.7	2.88	40	38,10	80	43.2	73.5	1/8	1/4
VH02	2"	1.939	3.38	1.88	3.62	50	49,25	85	47.6	91.9	1/4	1/4
VH0D	2½"	2.323	4	2.5	4.12	65	59,00	100	63.5	104.6	1/4	1/4
VH03	3"	2.900	4.75	2.75	5.00	80	73,66	120	69.9	127.0	1/4	1/4
VH04	4"	3.826	6	3.5	6.19	100	97,18	150	88.9	157.2	1/4	1/4
VH06	6"	5.761	9.5	6.0	8.50	150	146,33	240	152.4	215.9	1/4	1/4

*Other sizes, lengths and tap specifications are available.

MODEL NUMBER CONFIGURATION VH

Type	Size	Materials	Body Style	Bore	Fittings	Face Style					
VH											
01	1"	A	S316L Cone	1	Universal Body Style*	S	Standard	N	NPT	3	Serrated
0C	1½"							F	Flanged (direct mount)		
02	2"										
0D	2½"										
03	3"										
04	4"										
06	6"										

*Universal body used for ANSI 150-2500# Class, DIN 2576, 2633, 2635 and JIS 10K

NOTES

1. Bold items in table above are standard construction.
2. Combinations of two different materials can also be specified.
3. Plastic materials limited to sizes 1" to 3". For other sizes please consult factory.
4. Direct mounting is limited to sizes 1" to 3". For other sizes please consult factory.

Examples:

Model	Description
VH01-A1SN3	Wafer-Cone 1" line size, S316, ANSI Style, NPT Pressure Ports, Serrated Face
VH02-A1SF3	Wafer-Cone 2" line size, S316, ANSI Style, Transmitter Flanged For Direct mounting, Serrated Face

ABBREVIATION

NPT	National Pipe Taper
-----	---------------------

Design Pressure Limits

1500 psig: -50F to 600F
103 bar: -46C to 315C
Contact factory if other design limits are required.

Technical questions can be answered through a local representative or through our application engineers.

MANUFACTURING STANDARDS

Specific customer requirements can be complied with upon request.

Each meter is shipped with a centering device.

Non-destructive testing can include:

- Hydrostatic Pressure Testing
- Positive Material Inspection
- Dye Penetrant Weld Inspection ("F" Fittings Option Only)

ACCESSORIES

- Accessory Kit: gaskets, long bolts, and nuts
- Alternate cone for different flow range/differential.



Representantes / Distribuidores Exclusivos

Argentina

Tel: (+54 11) 5352 2500

Email: info@dastecsrl.com.ar

Web: www.dastecsrl.com.ar

Uruguay www.dastecsrl.com.uy

Paraguay www.dastecsrl.com.py

Bolivia www.tecdas.com.bo



3255 WEST STETSON AVENUE • HEMET, CALIFORNIA 92545 USA

TEL: 951-652-6811 • 800-220-2279 • FAX: 951-652-3078

Printed In The U.S.A

Lit. #24509-51 Rev.2.8 / 16APR2024

Copyright © 1998-2024 McCrometer, Inc. All printed material should not be changed or altered without permission of McCrometer. Any published pricing, technical data, and instructions are subject to change without notice. Contact your McCrometer representative for current pricing, technical data, and instructions. Hong Kong Patents HK1027622 & HK1066054.