



Gas



Liquid & Slurry



Solid & Powder



Steam & Water

# SENTRY PR SAMPLER

## Point Samplers

### AUTOMATIC SAMPLING

The Sentry® PR automatic point sampler automates sampling of free-flowing materials such as granules, powders, flakes or pellets from positive or negative pressure systems. A point sampler captures samples from a point in a process stream and often is used when the material is homogenous.

To obtain a sample, the Sentry PR sampler's air cylinder moves a sample probe into the process stream. The material sampled is discharged through a flexible hose to a collection point. Material characteristics are not affected by the sampler because no moving parts convey the sample material to the sample container. Sample volume can be changed at the sampler controller.

#### MODELS

PR

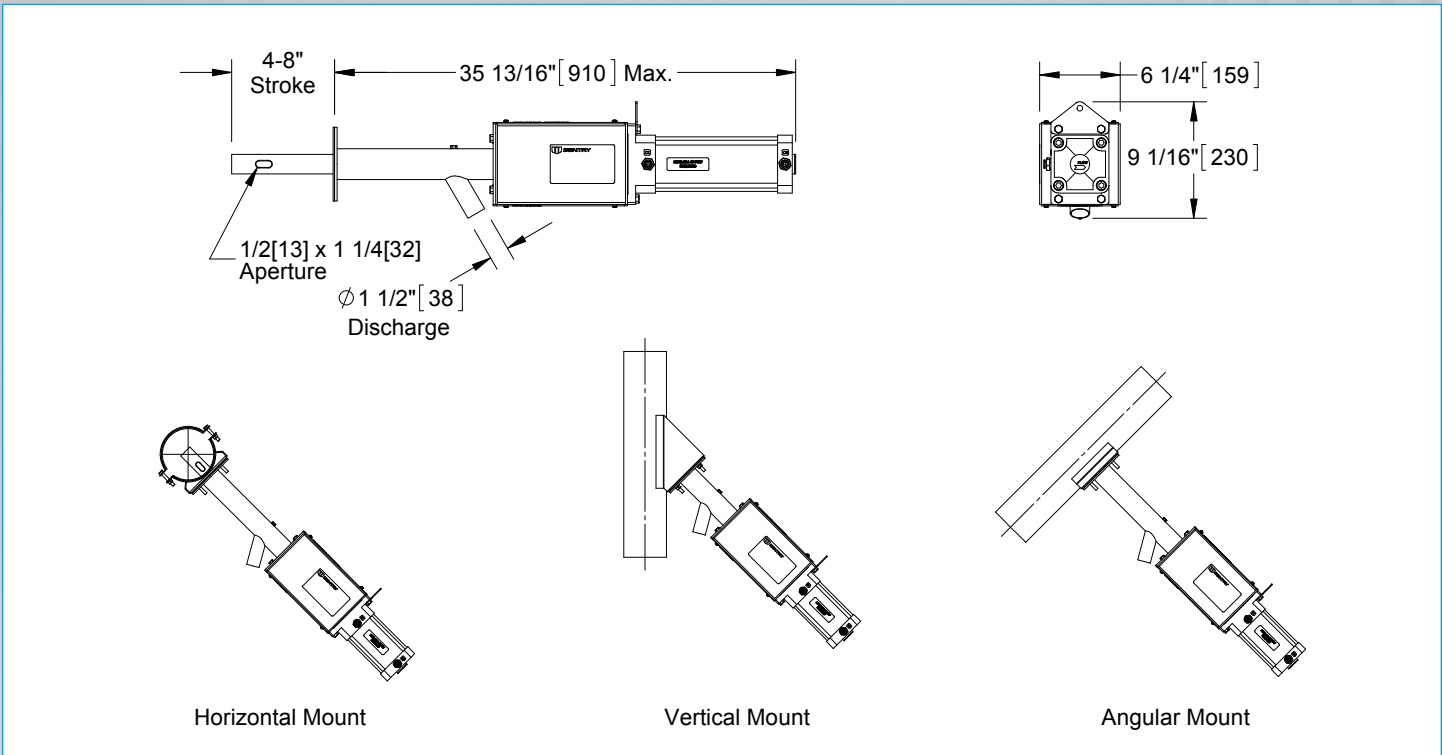
#### BENEFITS

With representative sampling, characteristics of each sample match that of the entire lot or batch—so samples are repeatable, leading to accurate sample analysis data. Automatic sampling ensures a sample can be easily and safely obtained with no need for direct human interface or interference. This ensures sample integrity as well as operator safety.

#### FEATURES

- Customized to meet various application needs
- Tube retracts tube from the line to avoid any restriction in product flow
- Wetted components are 300 series stainless steel
- UHMW or PTFE seals
- White nitrile seals or gaskets
- Designed to eliminate the degradation of sample material
- No moving parts in conveyance from sampler to container, keeping material characteristics consistent
- Stroke lengths of 4, 6 and 8 inches (102, 152 and 203 mm)
- CE and ATEX compliant models available
- Includes air filter, regulator and gauge where applicable
- Optional release coating to ensure a non-stick surface
- QPQ hardening of contact surfaces available to protect against wear and abrasion
- Custom mounting adapters available for round, square or other shaped chutes or pipes
- Optional sample tube purge
- Pre-plumbed filter/regulator and solenoid valve available
- Purge ring available for tube exterior





### SPECIFICATIONS

<b>materials</b>	300 series stainless steel, UHMW-PE, PTFE, white nitrile, aluminum cylinder
<b>particle size</b>	10 µm to 1/4 in (6 mm)
<b>temperature rating</b>	-10 to 175°F (-23 to 79°C)
<b>air requirements</b>	air pressure 60 to 80 psi (4.1 to 5.5 bar) recommended; air usage 81 in <sup>3</sup> (1327 cc) per inch of stroke
<b>suggested connection to sample discharge</b>	rigid metal or flexible tubing to a collection container or indexing cabinet
<b>recommended sampler location</b>	positive or negative, horizontal or vertical dilute phase pneumatic conveying systems, gravity spouts
<b>quantity of sample</b>	determined by flow rate; max. volume per stroke 12.5 in <sup>3</sup> (205 cc)
<b>collection containers</b>	PET jar, 304 stainless steel jar, bag
<b>pressure rating</b>	up to 30 psi (2.1 bar) standard; up to 100 psi (6.9 bar) with special seal arrangement
<b>shipping weight</b>	approx. 45 lb (20 kg)



Representantes / Distribuidores Exclusivos

Argentina

Tel: (+54 11) 5352 2500

Email: [info@dastecsrl.com.ar](mailto:info@dastecsrl.com.ar)

Web: [www.dastecsrl.com.ar](http://www.dastecsrl.com.ar)

Uruguay [www.dastecsrl.com.uy](http://www.dastecsrl.com.uy)

Paraguay [www.dastecsrl.com.py](http://www.dastecsrl.com.py)

Bolivia [www.tecdas.com.bo](http://www.tecdas.com.bo)



COMPANY WITH  
QUALITY SYSTEM  
CERTIFIED BY DNV GL  
= ISO 9001 =